

Specifications

TLP 710TV

Display

Screen type	Active matrix TFT color display
Size	7" (17.8 cm), measured diagonally
Resolution.....	800x480
Dot/pixel pitch.....	134 dpi
Aspect ratio	Widescreen
Color depth.....	18 bit, 256k colors
Transparency	8 bit alpha channel
Brightness	400 nits (cd/m ²)
Contrast.....	400:1
Backlight.....	High bright LED
Viewing angle.....	±70° horizontal, +60°/-70° vertical
Touch screen	Resistive membrane

Memory

SDRAM.....	128 MB for graphics processing 8 MB for system use
Flash.....	32 MB for project storage 16 MB for system use

Control – Ethernet interface

Ethernet control/communications port	1 RJ-45 female connector
Ethernet data rate	10/100Base-T, half/full duplex with autodetect
Ethernet protocol	ICMP, IP, TCP (control), UDP, DHCP, Telnet
Default settings	Link speed and duplex level: autodetected IP address = 192.168.254.254 Subnet mask = 255.255.0.0 Default gateway = 0.0.0.0 DHCP = off
Program control.....	Extron Global Configurator 3.3 or higher GUI Configurator v1.3 or higher for Windows® Extron Simple Instruction Set (SIS™) Microsoft® Internet Explorer® ver. 6 or higher, Telnet

Control – touchpanel

Motion sensor.....	On/off
Light sensor.....	On/off

Video input – see S-video or composite video MTP transmitters or TLP VIM specifications

Number/signal type.....	1 S-video or composite video, as part of a set of proprietary signals
Connector.....	1 female RJ-45
Standards	NTSC, PAL

Audio input — see S-video or composite video MTP transmitters or TLP VIM specifications

Number/signal type.....	1 stereo, balanced/unbalanced, line level, as part of a set of proprietary signals
Connector.....	1 female RJ-45 (shared with video input)

Audio output

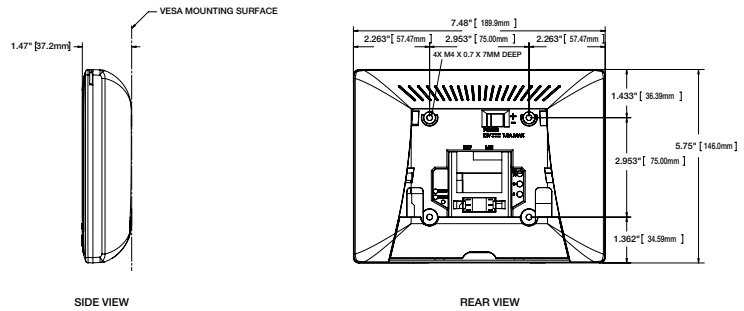
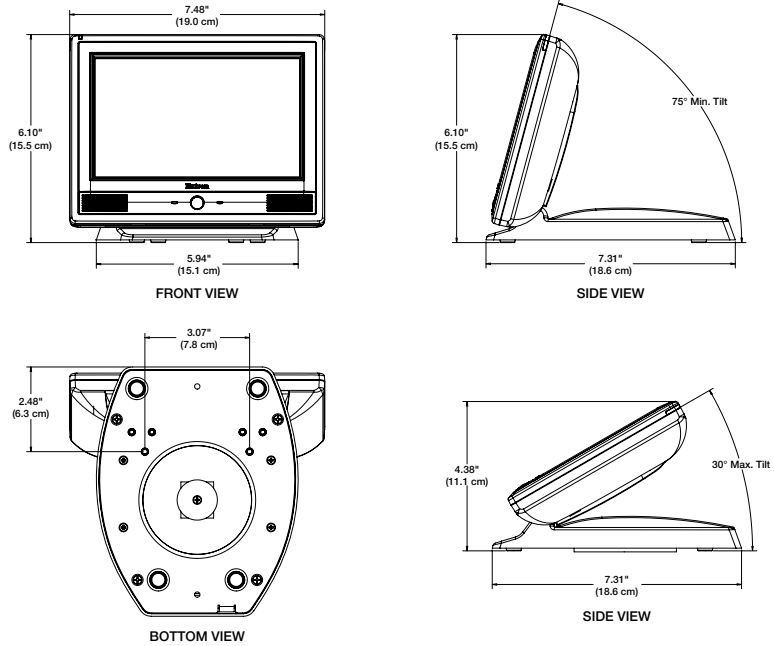
Speaker output.....	1 mono, 86 dB SPL, 0.1 watt, 0.1 m, half space
Frequency response	750 Hz to 20 kHz, ±5 dB
Playback format(s)	WAV files: 8 bit PCM, mono, 8 kHz sampling

General

Power supply	External Input: 100-240 VAC, 50-60 Hz Output: PoE 802.3af compliant, 48 VDC, 0.35 A, 16.8 watts
Power consumption	
Device	10.0 watts, 48 VDC (PoE)
Device and power supply	13.1 watts, 100-240 VAC, 50-60 Hz
Power over Ethernet (PoE) input requirements	Complies with PoE 802.3af, class 3
Temperature/humidity	Storage: -4 to +158 °F (-20 to +70 °C) / 10% to 90%, noncondensing Operating: +32 to +122 °F (0 to +50 °C) / 10% to 90%, noncondensing
Cooling	Convection, vents on top rear
Thermal dissipation	
Device	34.2 BTU/hr
Device and power supply	44.7 BTU/hr
Mounting	
Furniture or wall mount.....	Set on tabletop or mount to optional VESA D 75 mm panel mount kit
Adjustment ranges.....	Tilts through a 45° range
Enclosure type	Plastic

Enclosure dimensions

- Table-top standing..... 6.1" H* x 7.5" W x 7.3" D
 (15.5 cm H* x 19.0 cm W x 18.6 cm D)
 (*Maximum height. Includes base. Total height and depth depends on screen tilt.)
- VESA D mounting..... 5.8" H* x 7.5" W x 1.5" D
 (14.6 cm H* x 19.0 cm W x 3.7 cm D)
 (*Maximum height. Includes base. Total height and depth depends on screen tilt.)



For VESA Mount

Product weight	3.8 lbs (1.7 kg)
Shipping weight	7 lbs (3 kg)
Vibration	ISTA 1A in carton (International Safe Transit Association)
Regulatory compliance	
Safety	CE, c-UL, UL
EMI/EMC	CE, C-tick, FCC Class A, ICES, KCC, VCCI
Environmental	Complies with the appropriate requirements of RoHS and WEEE.
Warranty	3 years parts and labor; touchpanel display and overlay components are covered for 1 year

NOTE: All nominal levels are at $\pm 10\%$.

NOTE: Specifications are subject to change without notice.

8.1-073114-D6