



DTEN Bar MOUNTING GUIDE

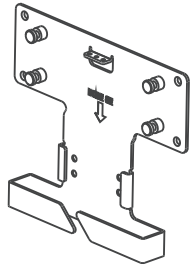
Thanks for choosing DTEN

DTEN Bar Mounting Guide

Wall Mount

What You'll Need:

-Wall mount bracket



Wall Mount Hardware

4 x M4 x 30 wall mount screws
4 x plastic anchor

Optional - TV mount extended spacer sets

1 x M3 x 25 Optional screw to secure
Bar to the mount

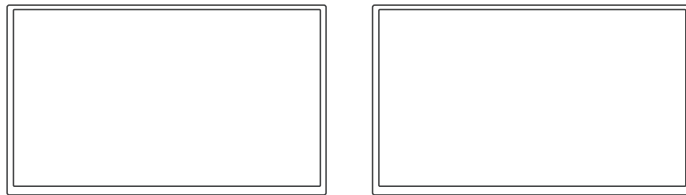
Spacer to secure Bar to the mount (included)

Grab Your Tools:

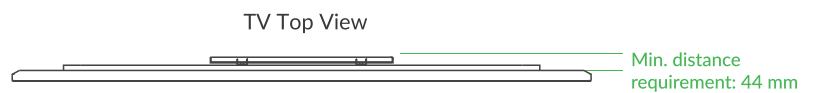
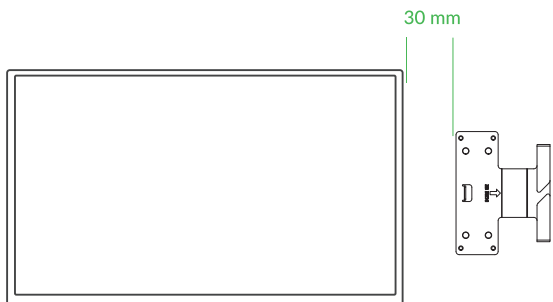
- Phillips screwdriver

Vertical Mount

Mounting option 1

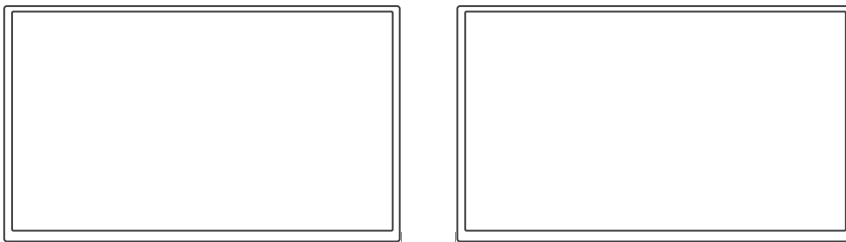


Min. distance requirement: 82 mm

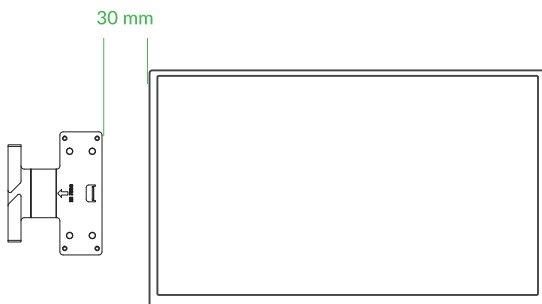


DTEN Bar Mounting Guide

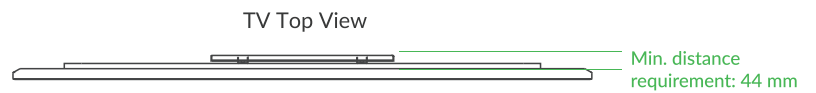
Mounting option 2



Min. distance requirement: 82 mm



30 mm



TV Top View

Min. distance requirement: 44 mm

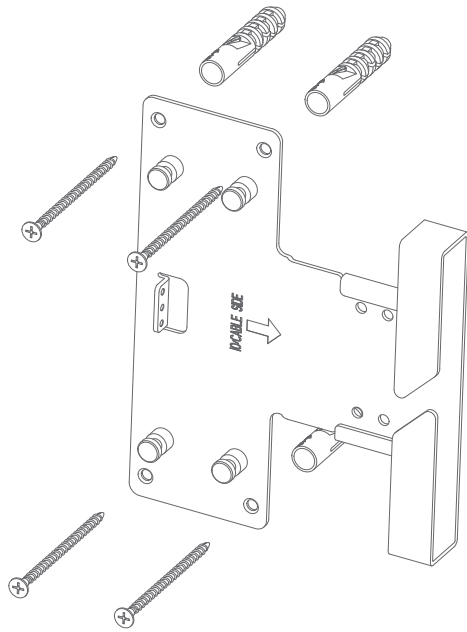
DTEN Bar Mounting Guide

Vertical Mount

STEP 1

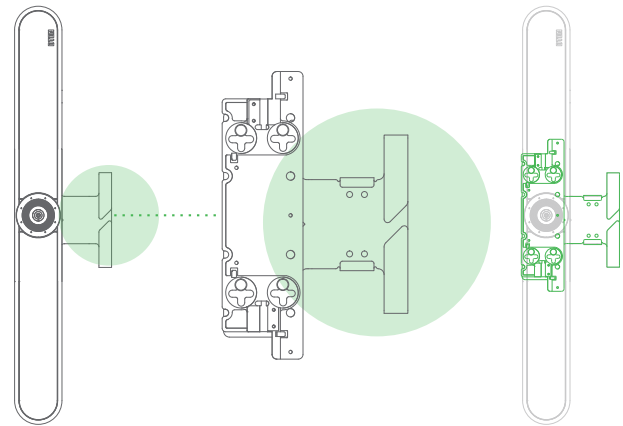
Attach the wall-mount bracket at the center of the display

Tip: Take down TV from on one side

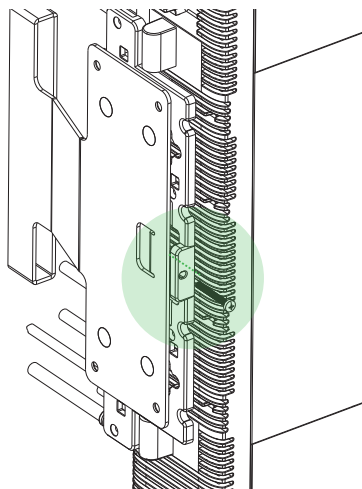


STEP 2

Install the DTEN Bar and slide it into place

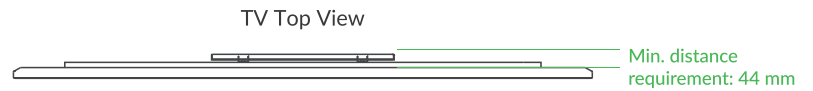
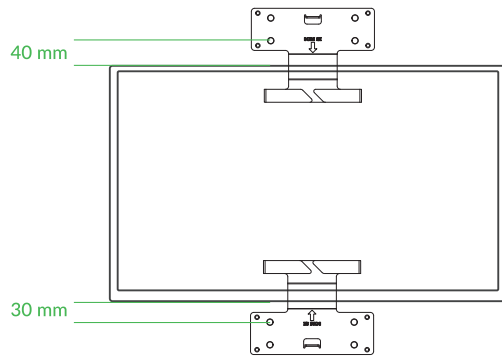


Optional Secure the Bar when mounting vertically



DTEN Bar Mounting Guide

Above / below the TV

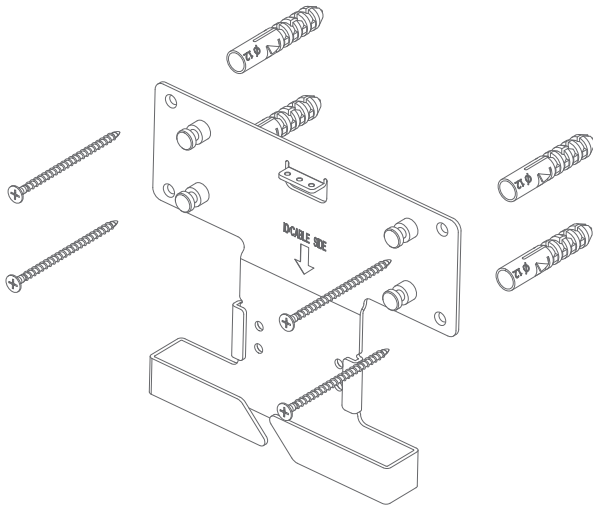


DTEN Bar Mounting Guide

Horizontal Mount

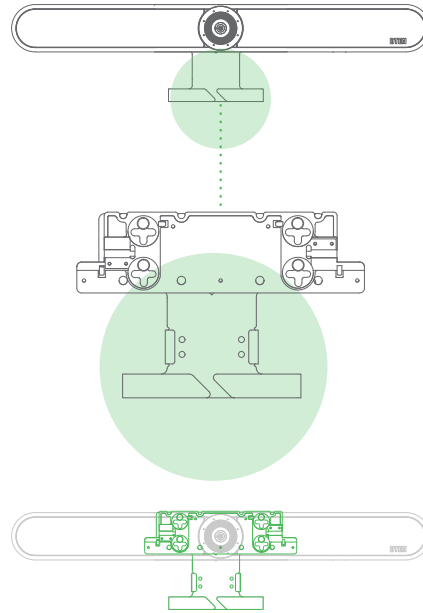
STEP 1

Attach the wall-mount bracket at the center of the display



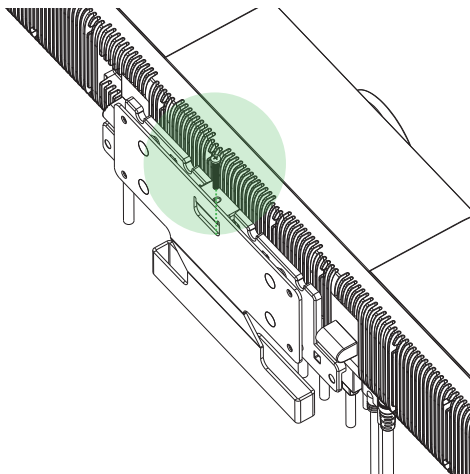
STEP 2

Install the DTEN Bar and slide it into place

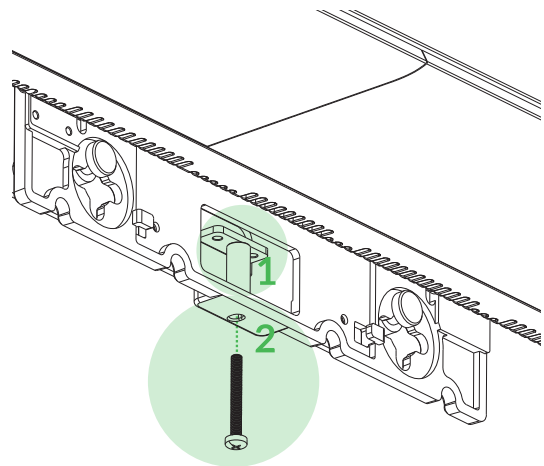


Optional Secure the Bar when mounting horizontally

Above the TV



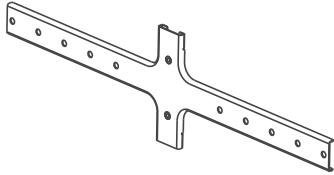
Below the TV



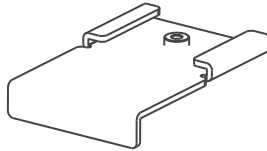
DTEN Bar Mounting Guide

TV Mount / What's Inside

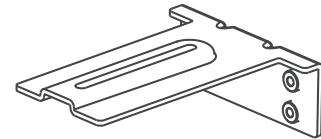
-VESA crossbar



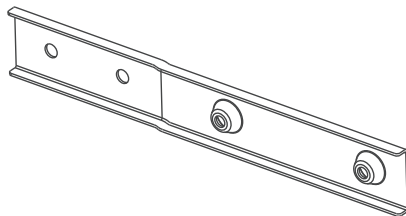
-Wall mount Support part A



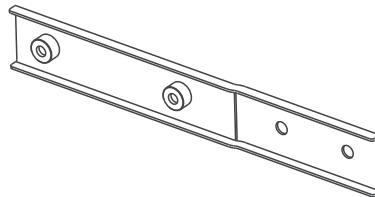
-Wall mount Support part B



-TV mount extension (Left)



-TV mount extension (Right)



-Vertical T-bar



TV Mount Hardware

- 4 x M6 x 25 Screws for TV VESA pattern
- 4 x M8 x 30 Screws for TV VESA pattern
- 2 x Spacer 10mm
- 4 x M4 x 6 screws (Flat head) to connect TV and wall bracket
- 4 x M4 x 6 screws (Round head) to install TV mount contact part
- 1 x M4 x 6 screws (Round head) for support part A and B for depth adjustment
- 6 x M6 x 12 screws to secure VESA crossbar and vertical T-bar and install the extension bar

Optional - TV mount extended spacer sets

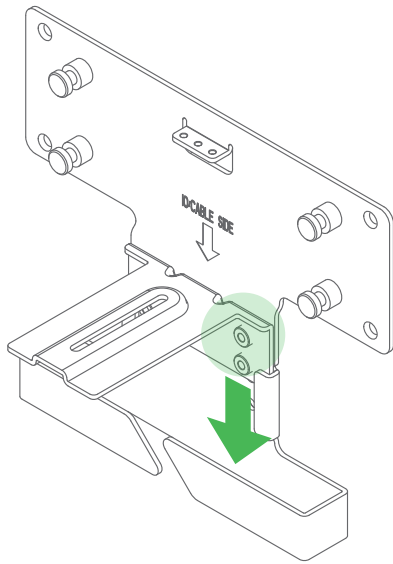
- 4 x M6 x 45 Screws for TV VESA pattern
- 4 x M8 x 50 Screws for TV VESA pattern
- 2 x Spacer extend short 22mm
- 2 x Spacer extend long 30mm

Grab Your Tools:

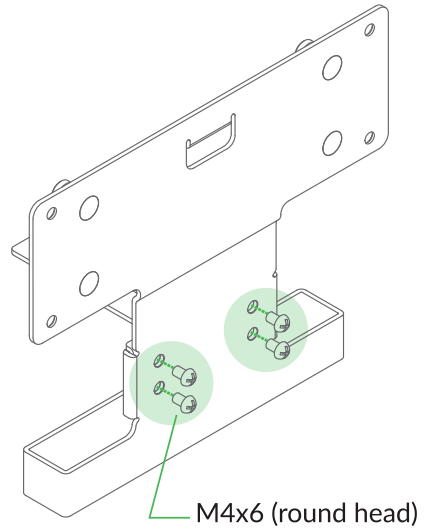
- Phillips Screwdriver

DTEN Bar Mounting Guide

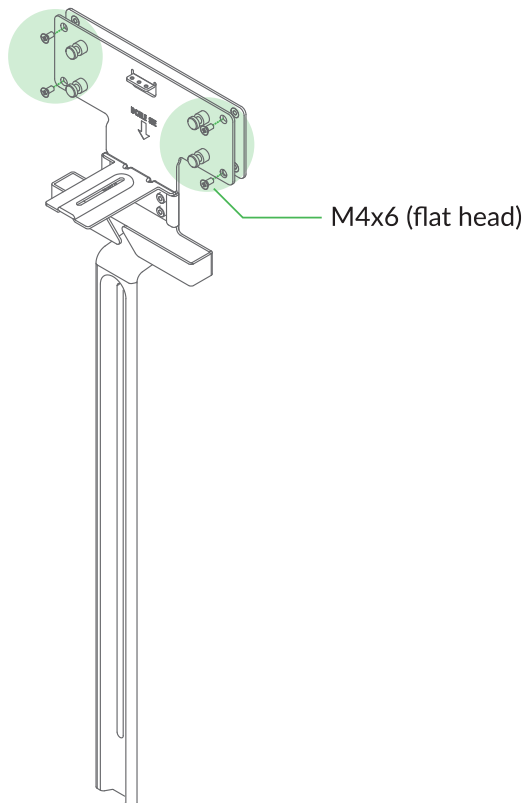
STEP 1 (A)



STEP 1 (B)



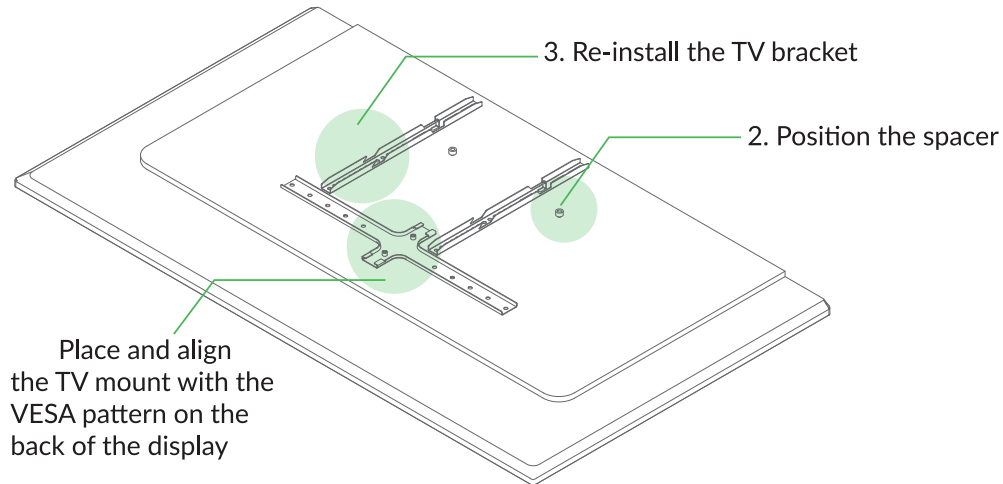
STEP 1 (C)



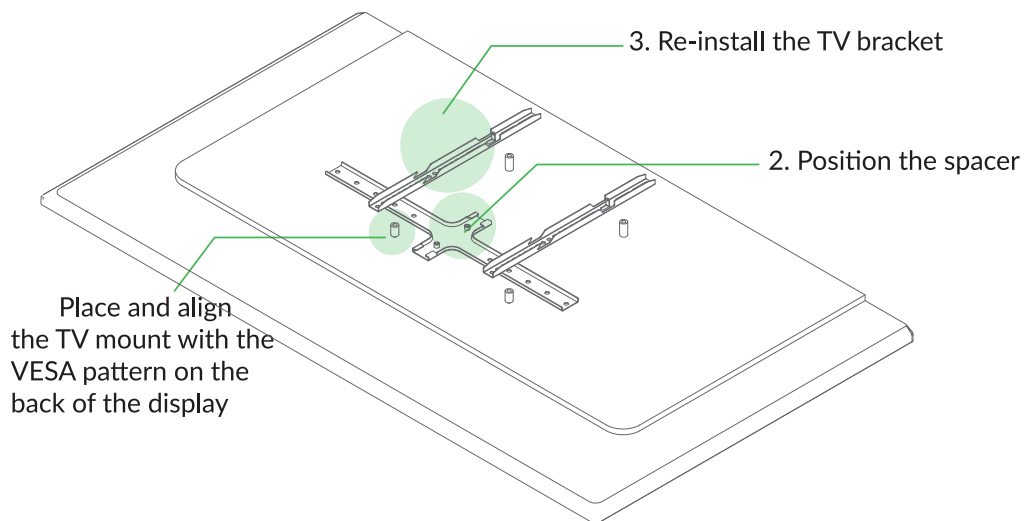
DTEN Bar Mounting Guide

STEP 2

Take down the display and remove the TV bracket.



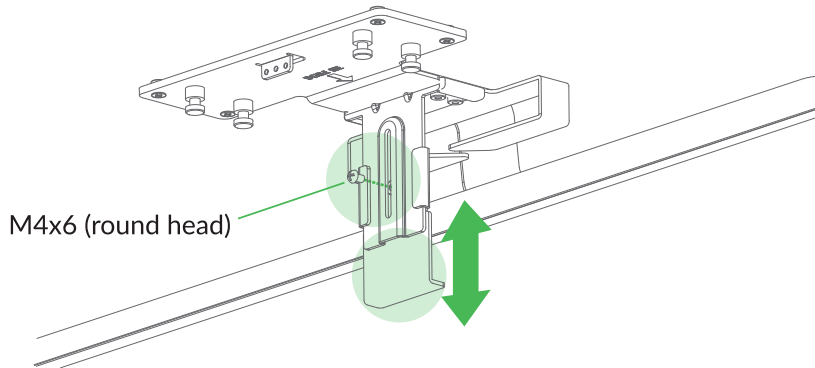
Optional- TV mount extended spacer sets



DTEN Bar Mounting Guide

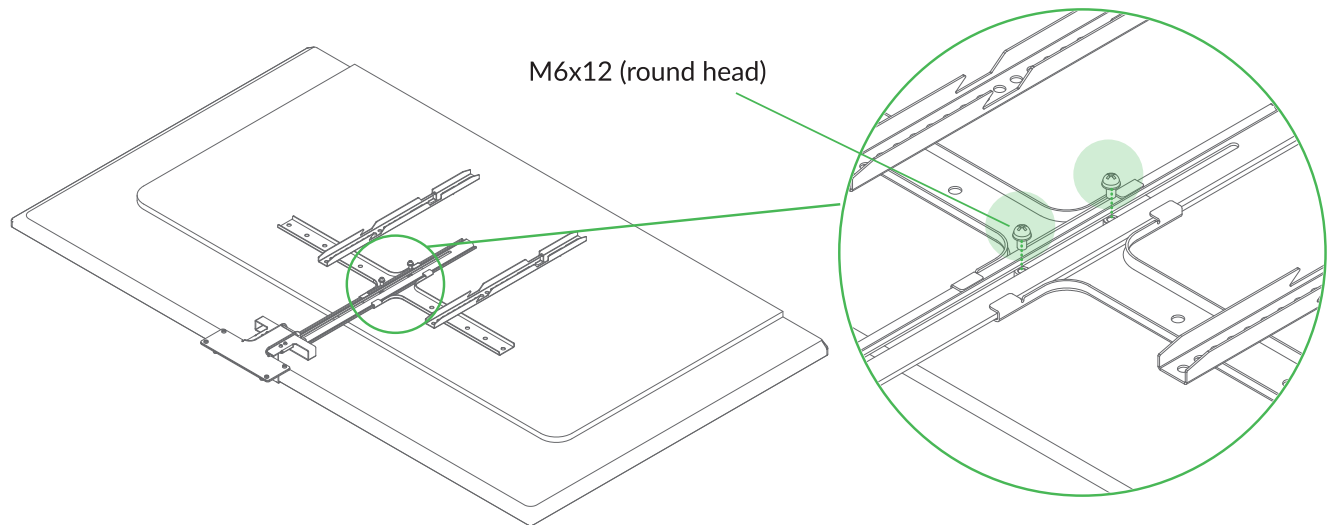
STEP 3

Adjust the Support and lock by fastening the screw



STEP 4

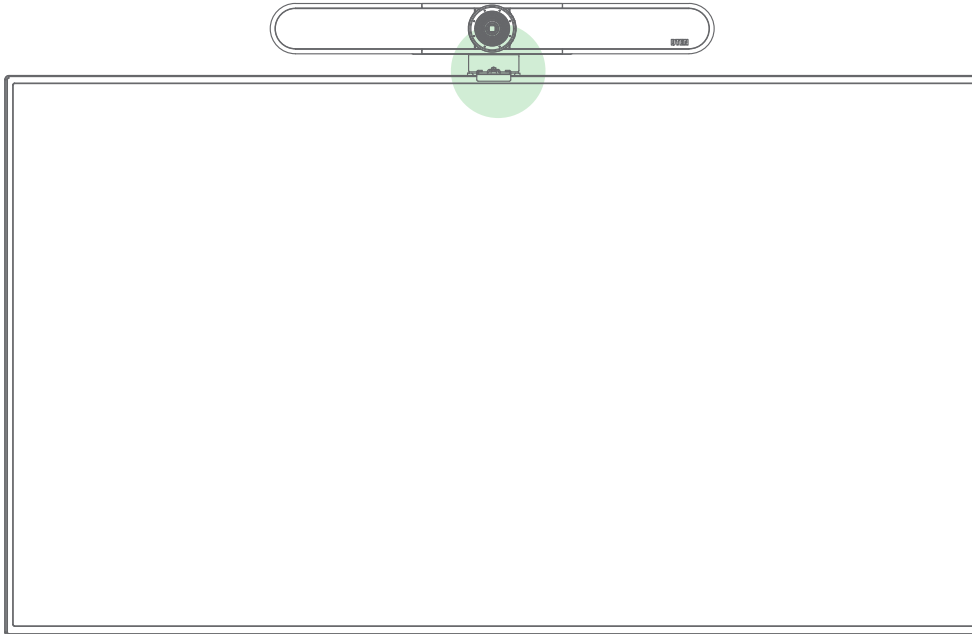
Lock the vertical T-Bar by fastening the two screws



DTEN Bar Mounting Guide

STEP 5

Install the DTEN Bar and slide into place



Install the 'TV mount extension' to extend the VESA pattern to 800 mm

