

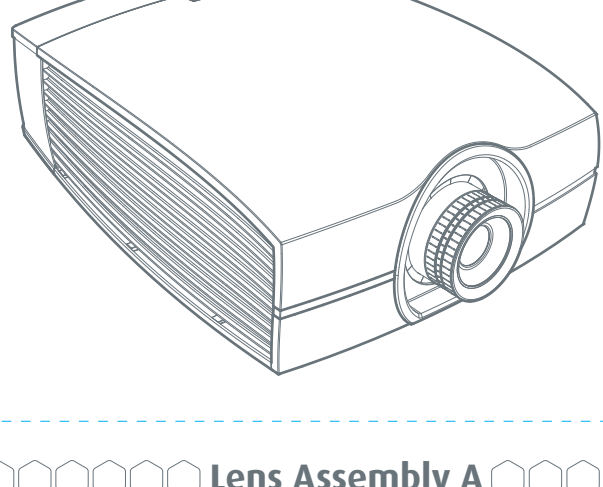
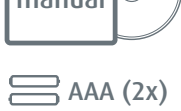
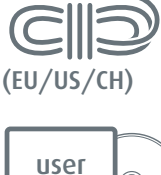
Congratulations on purchasing this product

**PGWU-62L/K
PGWX-62L/K**

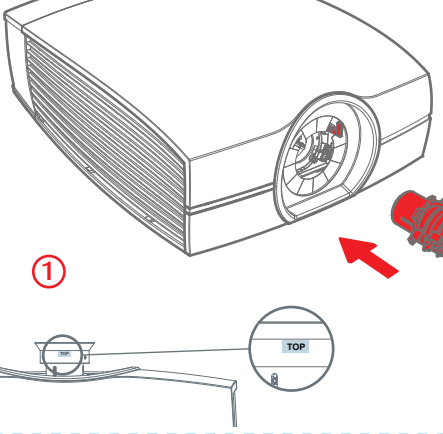


Quick Setup Guide

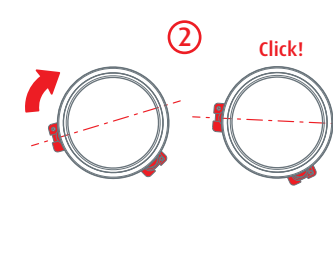
1 Packaging Contents



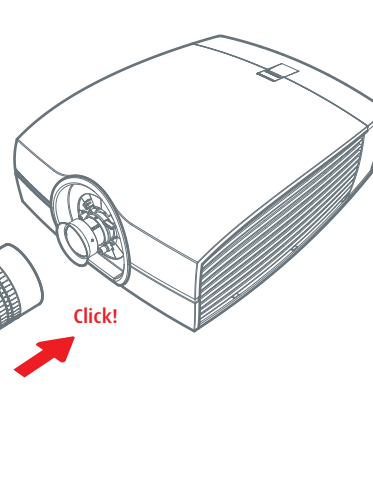
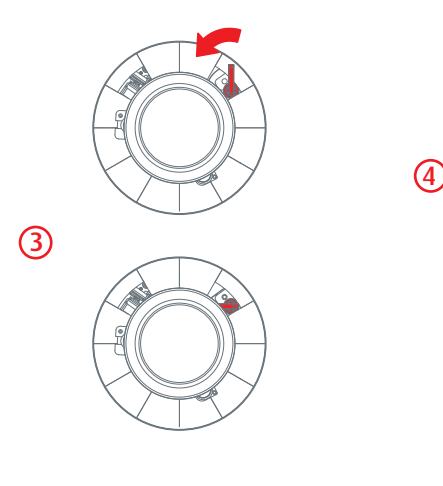
2 Lens Assembly A



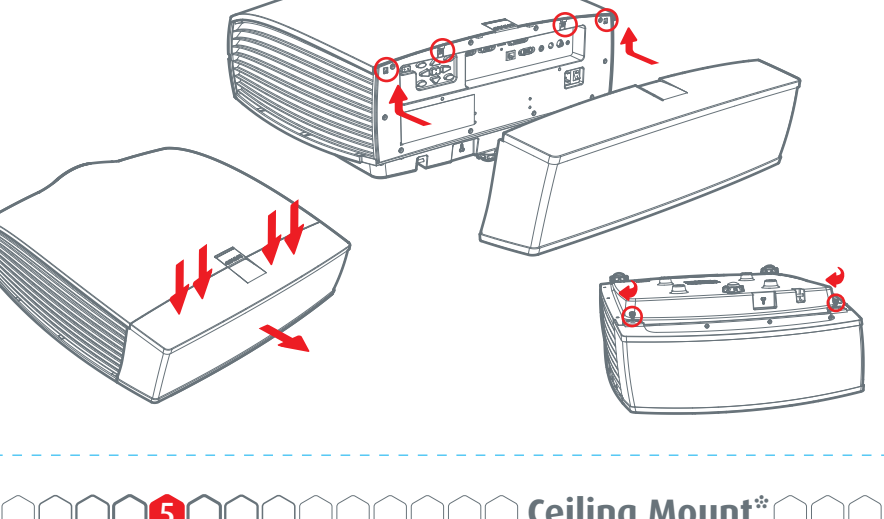
Remove protective covers from both ends of the lens before starting assembly.



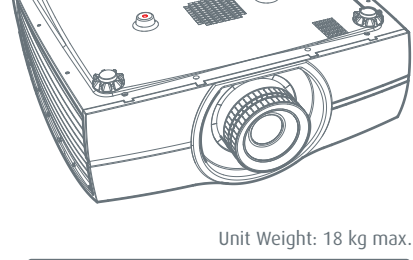
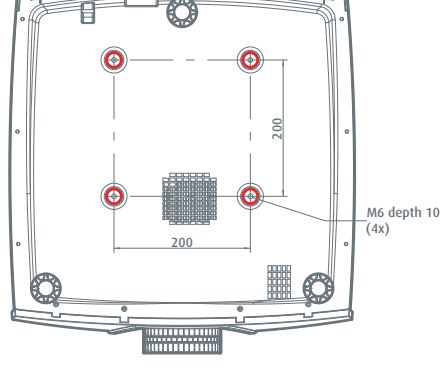
3 Lens Assembly B



4 Cable Cover



5 Ceiling Mount*

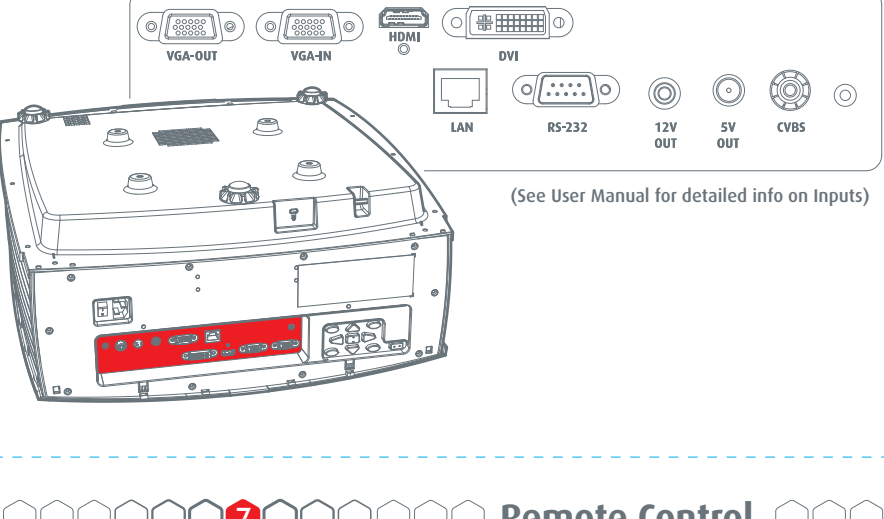


Unit Weight: 18 kg max.

Please check the manual of your supportsystem for compatibility

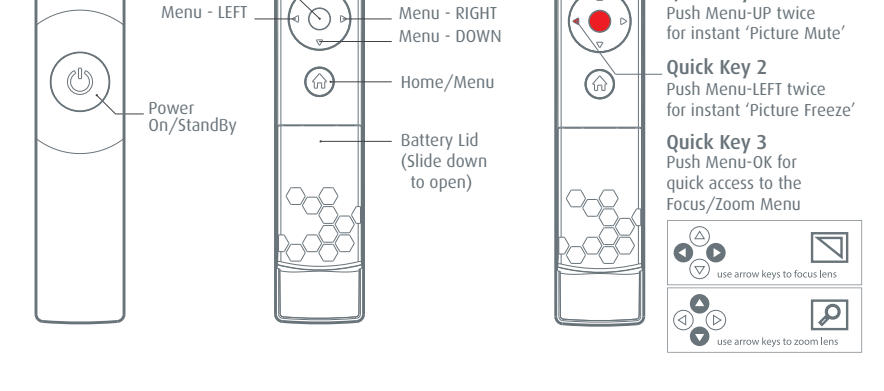
*(Ceiling mount system is not included)

6 Input Cables

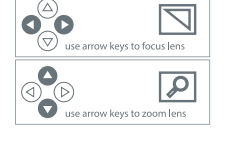


(See User Manual for detailed info on Inputs)

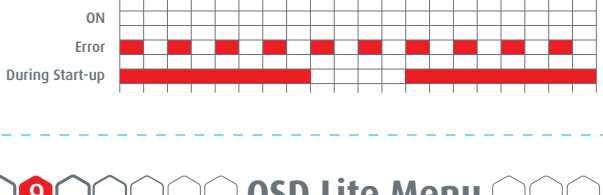
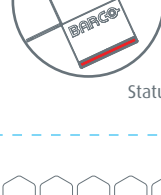
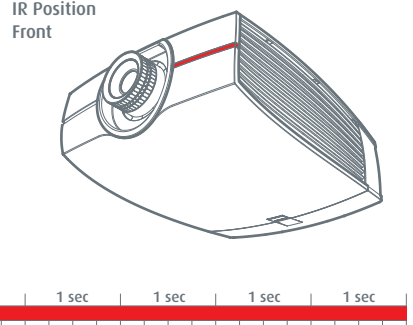
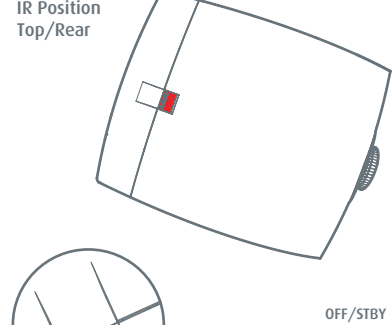
7 Remote Control



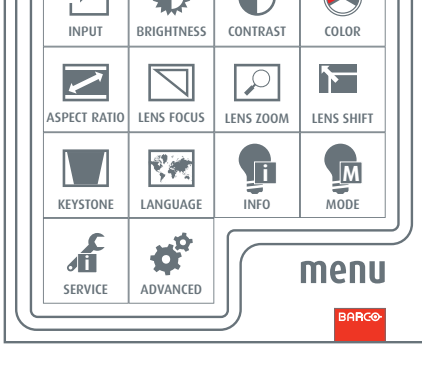
Quick Keys
(for Remote and keypad)
Quick Key 1 Push Menu-UP twice for instant 'Picture Mute'
Quick Key 2 Push Menu-LEFT twice for instant 'Picture Freeze'
Quick Key 3 Push Menu-OK for quick access to the Focus/Zoom Menu



8 Starting Projector



9 OSD Lite Menu



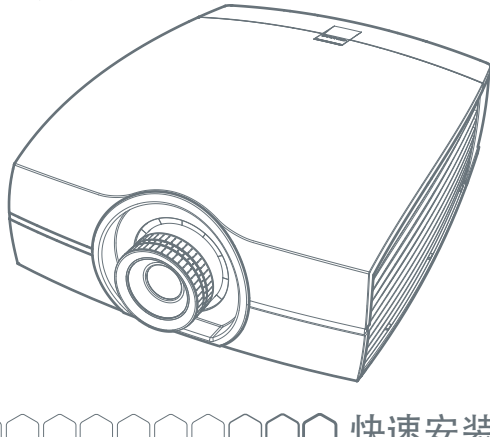
INPUT _____ Toggle between input sources
BRIGHTNESS _____ adjust brightness level
CONTRAST _____ adjust image contrast
COLOR _____ adjust image colour
ASPECT RATIO _____ modify image aspect ratio
LENS FOCUS _____ adjust lens focus
LENS ZOOM _____ adjust lens zoom
LENS SHIFT _____ adjust lens shift
KEYSTONE _____ adjust keystone
LANGUAGE _____ select language
INFO _____ information on light source status
MODE _____ normal/eco/power
SERVICE _____ service information
ADVANCED _____ see user manual

10 Important Info

- Remove the lens before transporting the projector.
- Do not block the ventilation in -and outlets.
- Using the projector at a non recommended tilt angle will reduce the lifetime of the light source or create unexpected behaviour of the unit.
- Pointing with a laser device into the lens can cause severe damage to the DMD. This damage is not covered by warranty.



For more information and Maintenance Guidelines, check the Detailed User Manual on: <http://www.barco.com/en/products-solutions/projectors>



快速安装手册

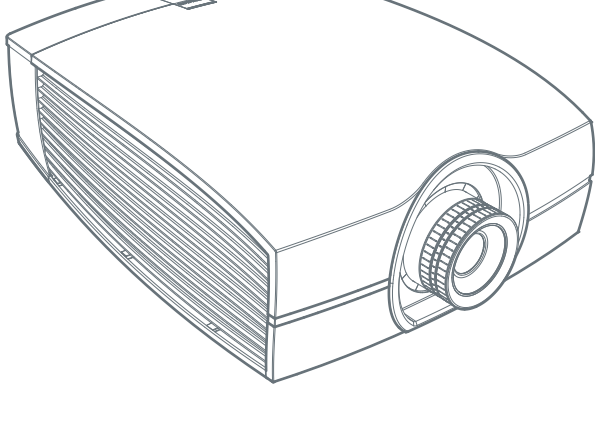
1 箱内物品



(EU/US/CH)

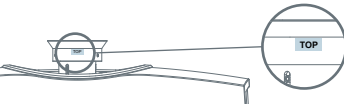
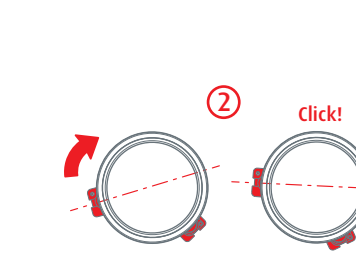
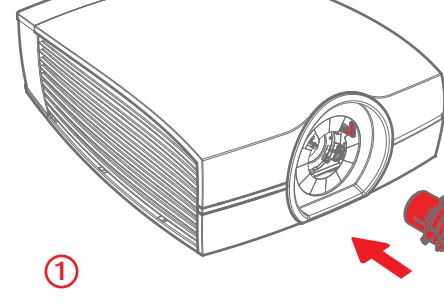


AAA (2x)

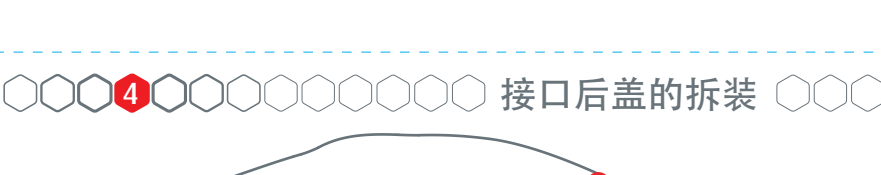
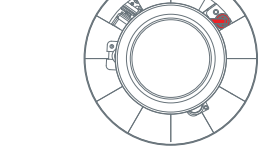
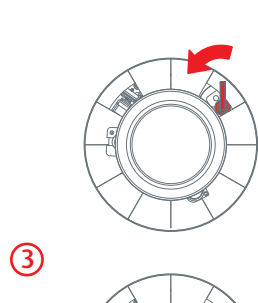


2 镜头的安装 A

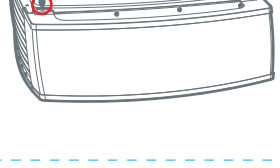
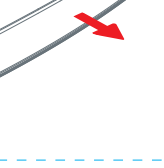
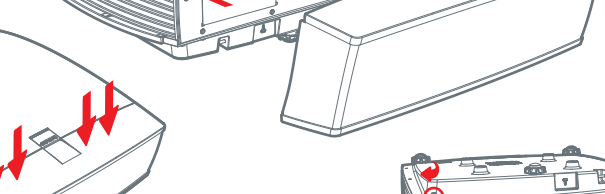
安装镜头前，
请将镜头前后保护盖取下。



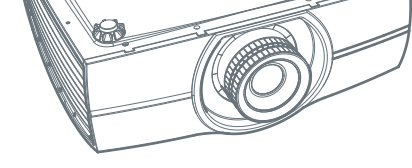
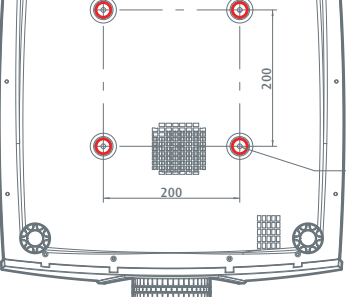
3 镜头的安装 B



4 接口后盖的拆装



5 安装托架*

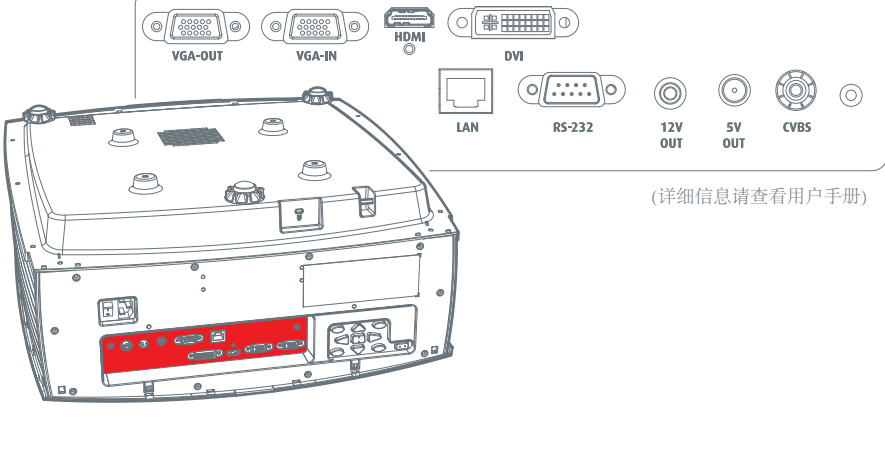


本机重量: 18kg Max.

请参照
您所使用的安装托架的手册进行安装

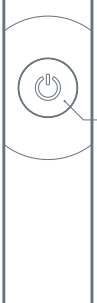
* (本产品不包含安装托架)

6 接口信息



(详细信息请查看用户手册)

7 遥控器



电源开/
待机

菜单 - OK
菜单 - 左
菜单 - 右
菜单 - 下

LED 指示灯

Home/菜单

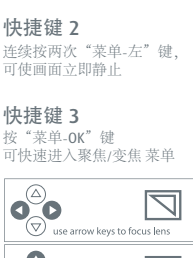
电池盖
(下滑打开)

快捷键
(遥控器 and 后面板上的按键)

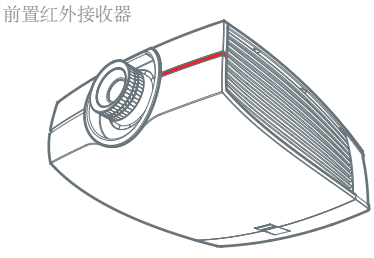
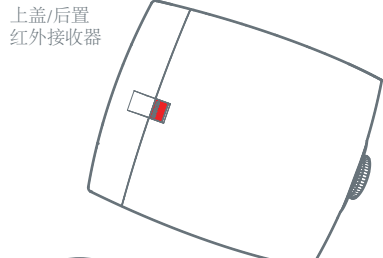
快捷键 1
连续按两次“菜单-上”
可以暂停投影

快捷键 2
连续按两次“菜单-左”键，
可使画面立即静止

快捷键 3
按“菜单-OK”键
可快速进入聚焦/变焦菜单



8 启动投影机



LED 指示灯



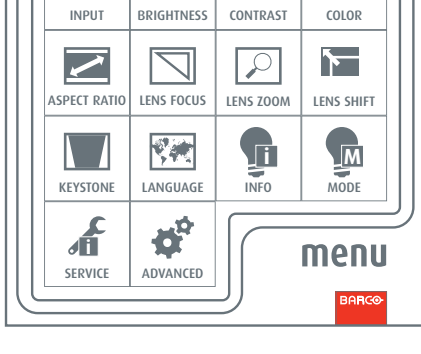
关机/待机

使用中

报错

正在启动

9 OSD 精简菜单

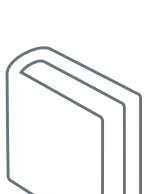


- INPUT 在不同输入信号源之间切换
- BRIGHTNESS 调整图像亮度
- CONTRAST 调整图像反差
- COLOR 调整图像显示模式
- ASPECT RATIO 调整图像纵横比
- LENS FOCUS 调整镜头聚焦
- LENS ZOOM 调整镜头变焦
- LENS SHIFT 调整镜头位移
- KEYSTONE 调整几何失真
- LANGUAGE 语言选择
- INFO 投影机灯状态信息
- MODE 选择功率模式
- SERVICE 服务信息
- ADVANCED 请查阅用户手册

10 重要信息



- 运输投影机前请先将镜头卸下;
- 请勿阻塞投影机的进风口;
- 如果投影机倾斜超过推荐的角度，
则会缩短投影机光源的寿命，并造成其他意外损坏
- 激光直接或间接照射到投影机镜头上可能会严重损坏数字微镜设备 (DMD™)，
这种损坏不在质保范围



如需获取更多详细信息和维护指导，请于以下链接查看用户手册：
<http://www.barco.com/en/products-solutions/projectors.htm>